



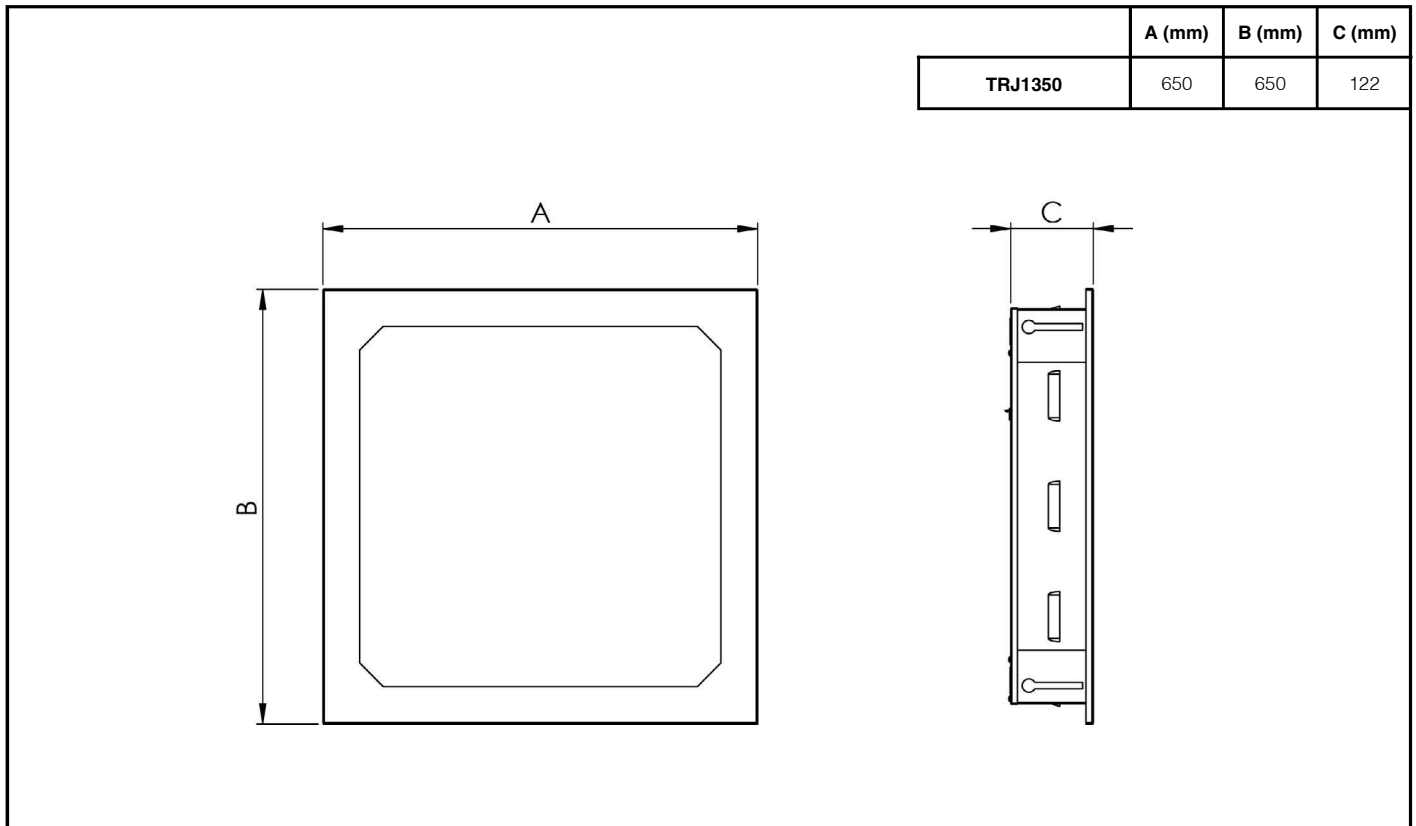
**Product Name: TROJAN**

## General information

- This luminaire must be installed in accordance with the latest edition of the IET Wiring Regulations and local Building Regulation by a qualified competent person.
- The mains power supply must be turned off before inspection, installation or removal of the luminaire, ensuring that the supply is locked off to prevent inadvertently switching the supply on.
- It is the installer's responsibility to ensure that the installation is suitable for the total load of the luminaire(s). The supply cable fuses/circuit breakers must be correctly rated for the electrical load and taking into account for any transient inrush currents that may occur.
- It is the installer's responsibility to ensure that the environmental operating and storage conditions are complied with and that any fire risks are considered.
- Do not perform insulation strength or insulation resistance tests on the installation with the luminaire(s) connected, this can damage the luminaires and give erroneous readings.
- Do not loop-in supply cables at the luminaire supply terminals unless there is provision for 2-way connection at the terminals.
- The light source contained in this luminaire must only be replaced by Tamlite Lighting or an appointed service agent.
- Emergency lighting luminaires must be installed and maintained in accordance with the emergency lighting standard BS 5266-1.
- To ensure that the product warranty remains valid, the luminaire must be installed and maintained in accordance with these installation instructions and the product must not be modified in any way.

-  Luminaires marked with this symbol must not be covered with thermally insulating material.
-  This symbol on covers over light sources indicates dangerous live parts do not operate the luminaire with this cover removed.

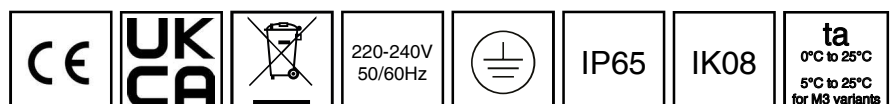
## Dimensions



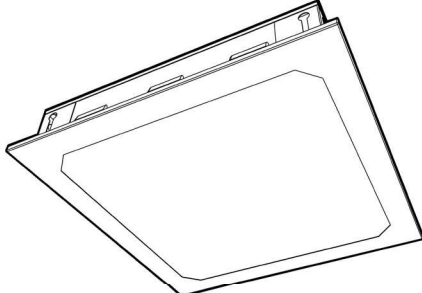
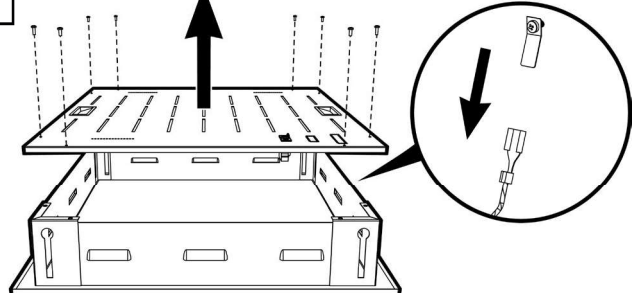
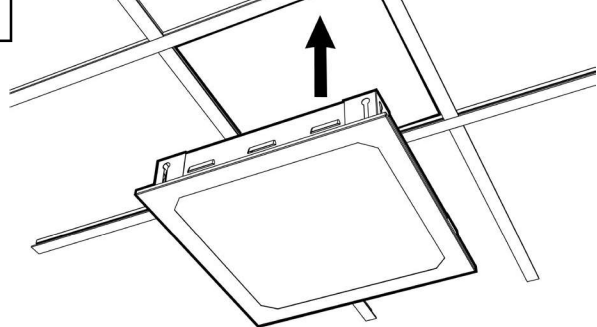
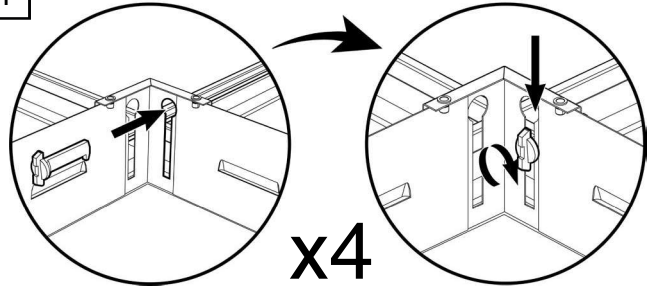
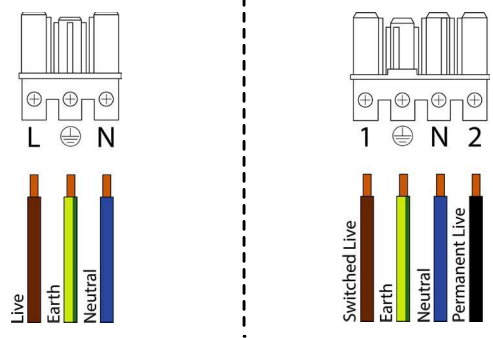
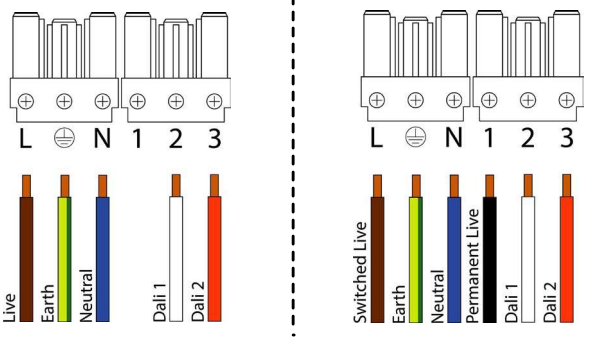
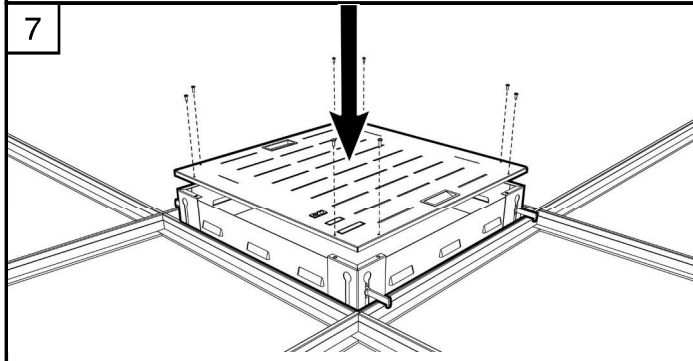
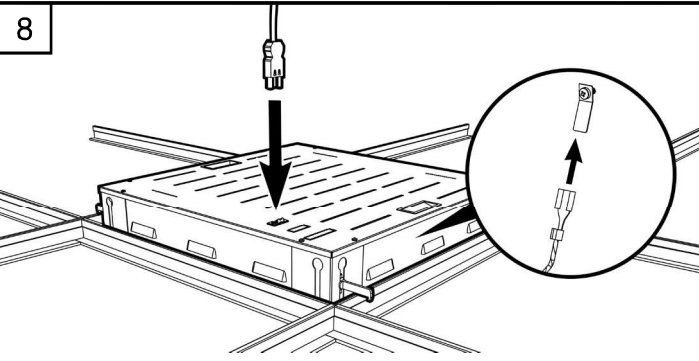
**Page 1 of 2**

Tamlite Technical  
Stafford Park 12,  
Telford, Shropshire,  
TF3 3BJ

+44(0)1952 292441  
technical@tamlite.co.uk  
Document No: V1







Product Name: TROJAN

<p><b>1</b></p>  <p>Remove the product from its packaging.</p>	<p><b>2</b></p>  <p>Remove eight screws and disconnect the earth bond to remove the LED gear tray.</p>
<p><b>3</b></p>  <p>Position the luminaire in to the desired location.</p>	<p><b>4</b></p>  <p>Insert "Lumafix" brackets in to the slots provided and rotate to lock in place.</p>
<p><b>5</b></p>  <p>Live Earth Neutral</p> <p>Switched Live Earth Neutral Permanent Live</p>	<p><b>6</b></p>  <p>Live Earth Neutral Dali 1 Dali 2</p> <p>Switched Live Earth Neutral Permanent Live Dali 1 Dali 2</p>
<p><b>7</b></p>  <p>Replace the LED gear tray.</p>	<p><b>8</b></p>  <p>Re-connect the earth bond and connect the supply cable.</p>

Page 2 of 2

Tamlite Technical  
Stafford Park 12,  
Telford, Shropshire,  
TF3 3BJ

+44(0)1952 292441  
technical@tamllite.co.uk  
Document No: V1

			<p>220-240V 50/60Hz</p>		<p>IP65</p>	<p>IK08</p>	<p>ta 0°C to 25°C 5°C to 25°C for M3 variants</p>
---	---	---	-----------------------------	---	-------------	-------------	---